



ANGLE MEASURING 1

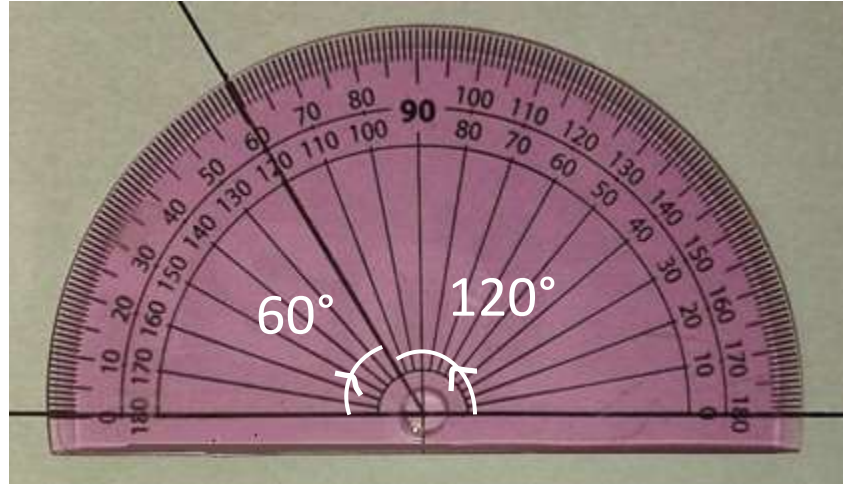
Use a protractor to measure the angles below.

Make sure you read from the correct scale of your protractor. Remember the line you are measuring from must be on one of the zero lines of the protractor.

Example

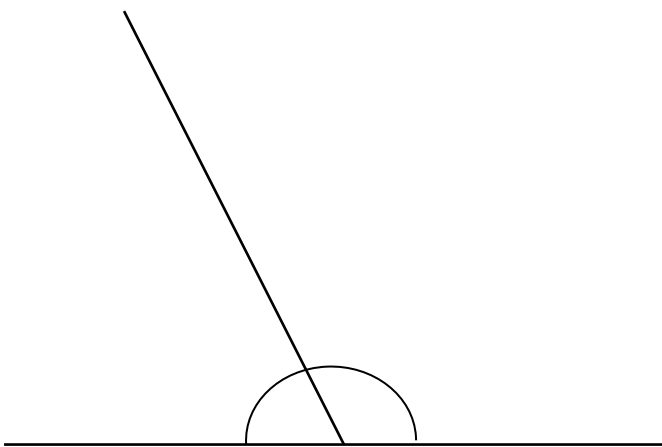
The angle on the left hand side is equal to 60° . We are measuring from 0° using the **outer** scale.

The angle of the right hand side is equal to 120° . We are measuring from 0° using the **inner** scale.

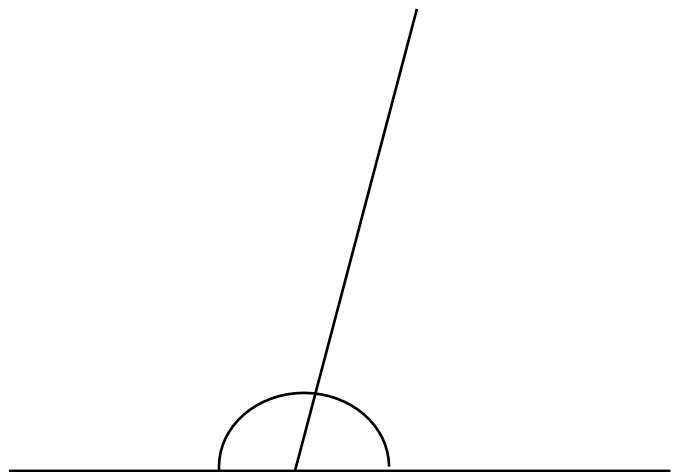


Measure the following angles. Remember, the two angles should add up to 180° because they are in a straight line!

1)



2)



Name

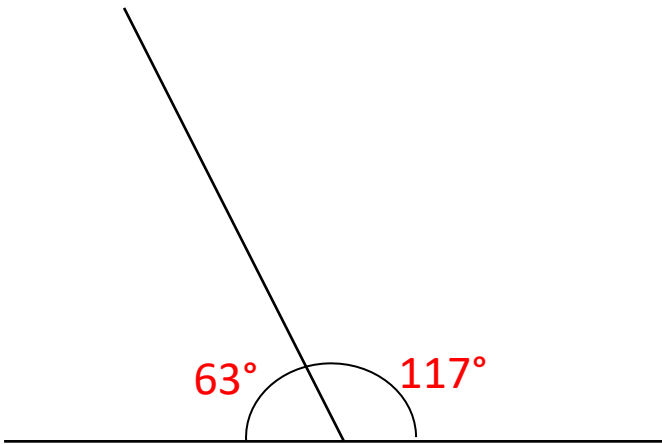
Date



ANGLE MEASURING 1 ANSWERS

Depending on your margins and printer settings, these angles may be slightly different! It does not matter if your answers are a degree or two away from the ones given.

1)



2)

