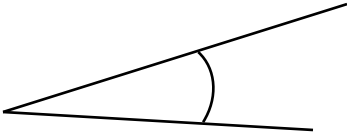
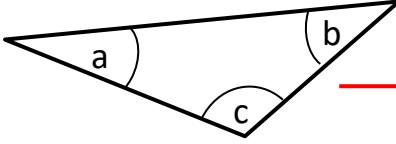
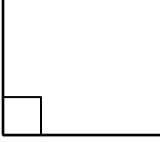
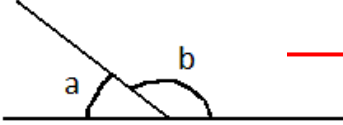
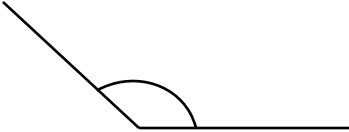
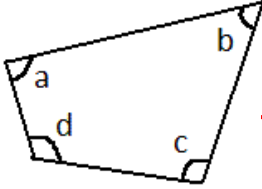
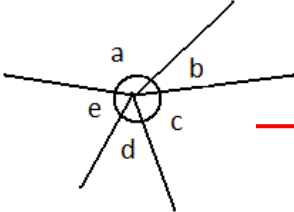
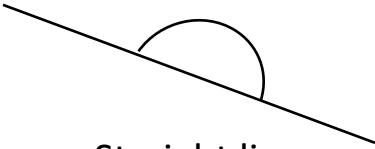
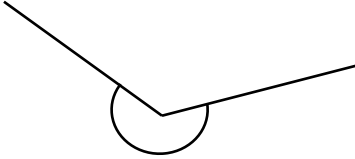




GEOMETRY QUICK GUIDE 1: ANGLES

Angle Types	Angle Rules																											
 <p>Acute angle $< 90^\circ$</p>	 <p>Angles in a triangle add up to 180° So $a + b + c = 180^\circ$</p>																											
 <p>Right angle $= 90^\circ$</p>	 <p>Angles on a straight line add up to 180° So $a + b = 180^\circ$</p>																											
 <p>Obtuse angle $> 90^\circ$ and $< 180^\circ$</p>	 <p>Angles in a quadrilateral add up to 360°. So $a + b + c + d = 360^\circ$</p>  <p>Angles around a point add up to 360°. So $a + b + c + d + e = 360^\circ$</p>																											
 <p>Straight line $= 180^\circ$</p>	<p style="text-align: center;"><u>Angles in regular shapes</u></p> <table border="1" data-bbox="683 1354 1500 1774"> <thead> <tr> <th>Name of shape</th> <th>Sides</th> <th>Interior angles</th> </tr> </thead> <tbody> <tr> <td>equilateral triangle</td> <td>3</td> <td>60°</td> </tr> <tr> <td>square</td> <td>4</td> <td>90°</td> </tr> <tr> <td>regular pentagon</td> <td>5</td> <td>108°</td> </tr> <tr> <td>regular hexagon</td> <td>6</td> <td>120°</td> </tr> <tr> <td>regular heptagon</td> <td>7</td> <td>128.6°</td> </tr> <tr> <td>regular octagon</td> <td>8</td> <td>135°</td> </tr> <tr> <td>regular nonagon</td> <td>9</td> <td>140°</td> </tr> <tr> <td>regular decagon</td> <td>10</td> <td>144°</td> </tr> </tbody> </table> <p>Sum of Interior angles of regular n-sided polygons is $180(n-2)^\circ$. To find the interior angle, divide this amount by the number of sides, n.</p>	Name of shape	Sides	Interior angles	equilateral triangle	3	60°	square	4	90°	regular pentagon	5	108°	regular hexagon	6	120°	regular heptagon	7	128.6°	regular octagon	8	135°	regular nonagon	9	140°	regular decagon	10	144°
Name of shape	Sides	Interior angles																										
equilateral triangle	3	60°																										
square	4	90°																										
regular pentagon	5	108°																										
regular hexagon	6	120°																										
regular heptagon	7	128.6°																										
regular octagon	8	135°																										
regular nonagon	9	140°																										
regular decagon	10	144°																										
 <p>Reflex angle $> 180^\circ$</p>																												

