

Converting between cups, pints, quarts and gallons

Grade 3 Measurement Worksheet

Remember: 2 cups = 1 pint
 4 cups = 2 pints = 1 quart
 8 pints = 4 quarts = 1 gallon

Fill in the right numbers.

1 pint = _____ cups

1 quart = _____ pints

1 gallon = _____ quarts

2 pints = _____ cups

2 quarts = _____ pints

1 gallon = _____ pints

3 pints = _____ cups

3 quarts = _____ pints

1 gallon = _____ cups

4 pints = _____ cups

4 quarts = _____ pints

2 gallons = _____ quarts

1 quart = _____ cups

2 gallons = _____ pints


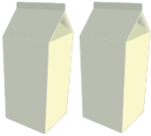
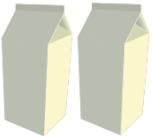
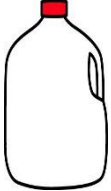
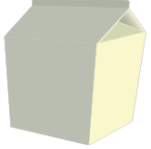

2 quarts = _____ cups

2 gallons = _____ cups


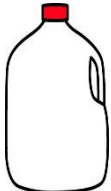

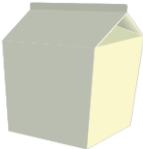

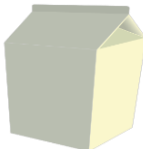
3 quarts = _____ cups

4 quarts = _____ cups

Which is more? Please circle.

2 cups 	2 pints 	2 pints 	1 gallon 	1 quart 	6 cups 
---	--	--	---	--	---

Which is less? Please circle.

4 cups 	1 gallon 	1 pint 	1 quart 	8 cups 	1 quart 
---	---	---	--	---	--

Answer

1 pint = 2 cups

1 quart = 2 pints

1 gallon = 4 quarts

2 pints = 4 cups

2 quarts = 4 pints

1 gallon = 8 pints

3 pints = 6 cups

3 quarts = 6 pints

1 gallon = 16 cups

4 pints = 8 cups

4 quarts = 8 pints

2 gallons = 8 quarts

1 quart = 4 cups

2 gallons = 16 pints


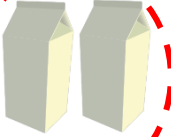
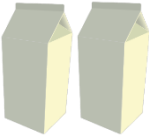
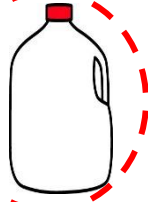
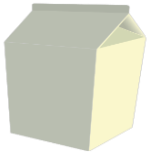

2 quarts = 8 cups

2 gallons = 32 cups




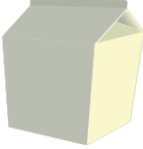

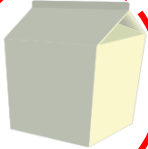
3 quarts = 12 cups

4 quarts = 16 cups

Which is more? Please circle.

2 cups 	2 pints 	2 pints 	1 gallon 	1 quart 	6 cups 
---	--	--	--	--	---

Which is less? Please circle.

4 cups 	1 gallon 	1 pint 	1 quart 	8 cups 	1 quart 
---	---	---	--	---	--