

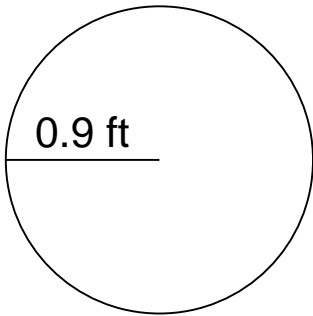
## Circumference of a circle

---

### Grade 6 Geometry Worksheet

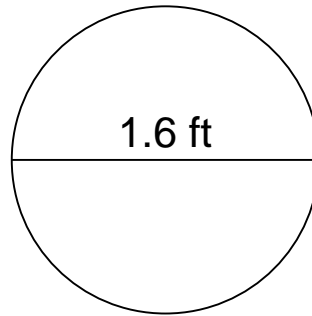
Calculate the circumference of each circle.

1.



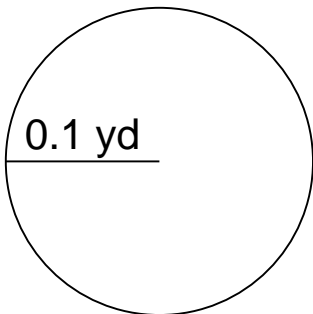
\_\_\_\_\_

2.



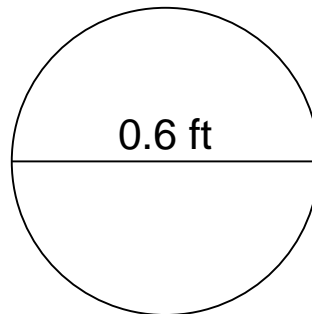
\_\_\_\_\_

3.



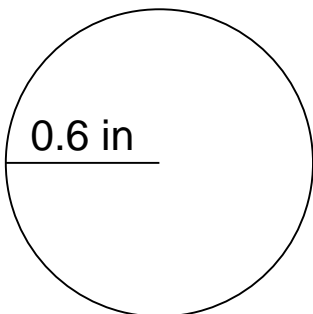
\_\_\_\_\_

4.



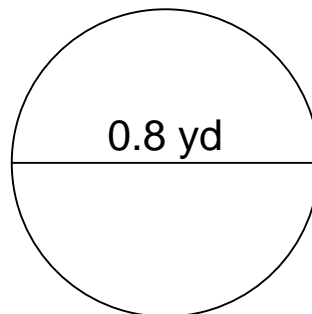
\_\_\_\_\_

5.



\_\_\_\_\_

6.



\_\_\_\_\_

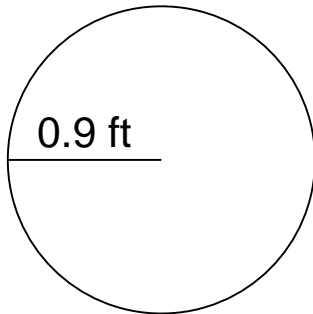
## Circumference of a circle

---

### Grade 6 Geometry Worksheet

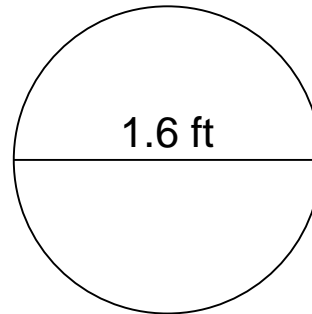
Calculate the circumference of each circle.

1.



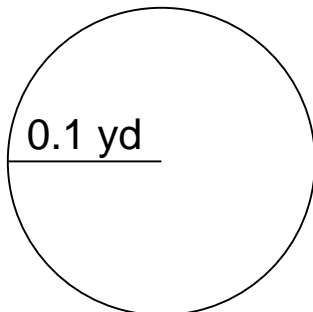
$C=5.65488 \text{ ft}$

2.



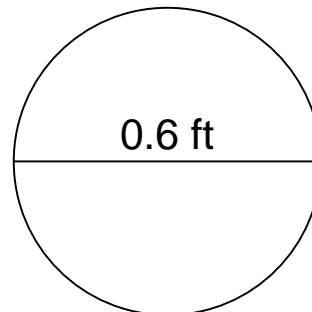
$C=5.02656 \text{ ft}$

3.



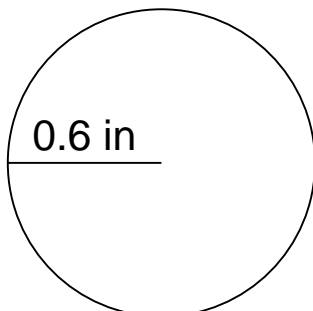
$C=0.62832 \text{ yd}$

4.



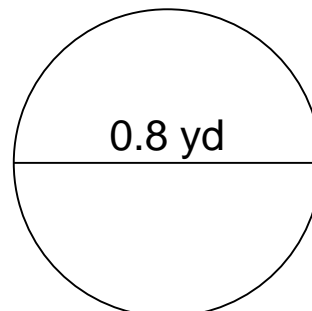
$C=1.88496 \text{ ft}$

5.



$C=3.76992 \text{ in}$

6.



$C=2.51328 \text{ yd}$